

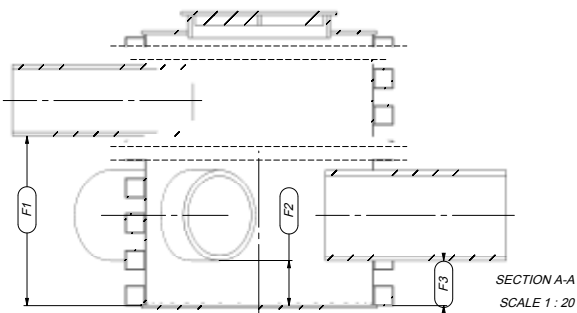
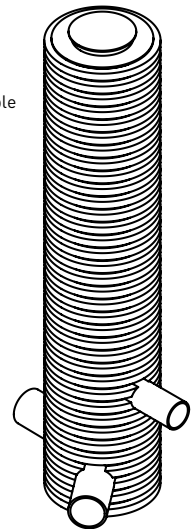
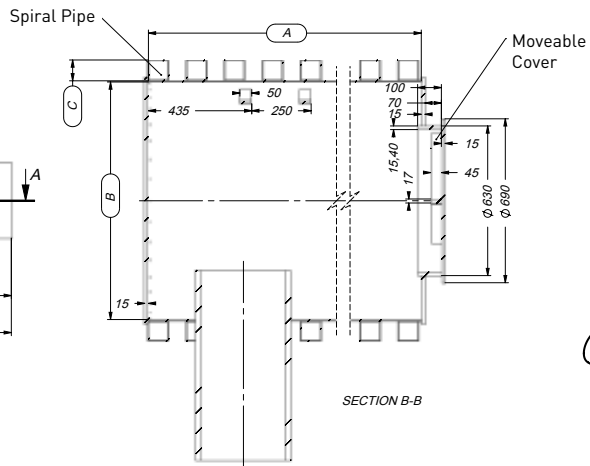
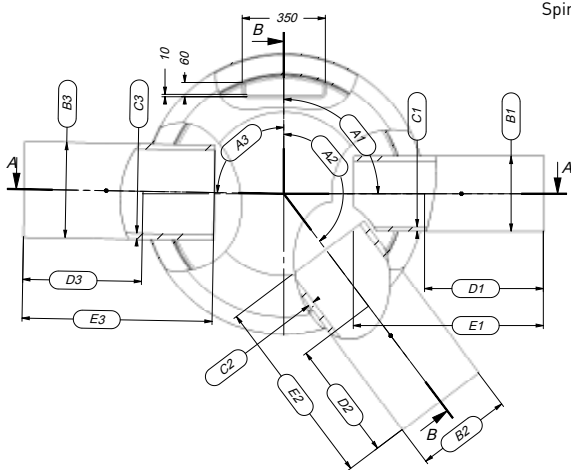
# 5

## Manholes and Storage Tanks



# MANHOLES AND STORAGE TANKS

All the junction points will be closed. INFORMATION FORM FOR SPECIAL MANHOLE CONSTRUCTION



Manhole Length [A]		E1	
Manhole Diameter [B]		E2	
Manhole SR [C]		E3	
A1		F1	
A2		F2	
A3		F3	
B1		Other Info	
B2			
B3			
C1			
C2			
C3			
D1			
D2			
D3			

## FORM FOR DETAILED INFORMATION ON DİZAYN MANHOLES

### 1) PROJECT NAME

Producer

Tel:.....

Fax:.....

Information requested by:

Tel:.....

Fax:.....

### 2) INFORMATION ON RAW MATERIAL AND MANHOLE

Raw Material          DIN 8075           PE 63

PE 80

PE 100

Raw Material :.....

Internal diameter :.....

Height H (m) :.....

Width of bottom PE plate  $t_b$  :.....

Number of branches :.....

The height of branches from bottom :.....

Diameters of branches :.....

Type of upper cover :.....

Table 5.1 - Manhole information request form

# MANHOLES AND STORAGE TANKS

## 5.1 Dizayn PE Storage Tanks

### 5.1.1- Specifications

The advantages of Dizayn PE storage tank can be outlined as follows:

- Dizayn PE storage tanks have perfect strength against poisonous and acidic chemicals,
- Better physical features ensuring more filling-load capacity,
- Absolute leak proof,
- Produced from homogenous elastic raw material,
- Smooth internal surface,
- Plastic raw material inhibits the settlement of microorganisms on the internal surface,
- Perfect strength to high temperature,
- Because of its light weight, very easy transport and installation allowing the lower cost,
- Absolutely environment friendly,
- Very high durability and very long service life,
- Availability of mounting every kind of accessories on the tank,
- The availability of different connection methods because of the welding and availability of making changes in body of the tank,
- High strength against impacts,
- Absolutely hygienic for human use,
- In some special cases telescopic transport is possible,

Dizayn PE storage tanks are produced in 500 mm-3600 mm diameter range. The net volume range differs between 1-50 m<sup>3</sup> range. The calculation for the strength are made according to the norm of instate Für Bautechnik and DVS 2205 part 1-4. The production of Dizayn storage tanks is made according to DIN 16961 standard.

For making easy service and loading into the tanks many kinds of ladders or fences on the tank can be mounted.

If necessary, for the purpose of decreasing the transport cost, the completion of the tank can be made at place of installation.

In case of demand, special production can be made in different shapes and dimension.

Net capacity (Liter)	DN Internal diameter (mm)	HZ Cylinder height (mm)	H Tank height (mm)
1.000	1.200	935	1.135
1.500	1.200	1.375	1.575
2.000	1.200	1.820	2.020
2.500	1.200	2.260	2.460
2.500	1.600	1.300	1.500
3.000	1.600	1.540	1.740
3.500	1.600	1.790	1.990
4.000	1.600	2.040	2.240
4.500	1.600	2.290	2.490
6.000	1.600	3.035	3.235
7.000	1.600	3.530	3.730
8.000	1.600	4.030	4.230
8.000	2.000	2.595	2.865
9.000	2.000	2.915	3.185
10.000	2.000	3.235	3.505
12.000	2.000	3.870	4.140
13.000	2.000	4.190	4.460
14.000	2.000	4.510	4.780
15.000	2.000	4.775	5.045
15.000	2.600	2.875	3.205
20.000	2.600	3.815	4.145
25.000	2.600	4.710	5.040
25.000	3.000	3.585	3.985
30.000	2.600	5.700	6.030
35.000	3.000	5.000	5.400
35.000	3.400	3.900	4.355
40.000	3.000	5.710	6.040
40.000	3.400	4.455	4.910
45.000	3.000	6.365	6.765
45.000	3.400	5.005	5.450
50.000	3.000	7.125	7.525
50.000	3.400	5.560	6.015

Dizayn Group keeps the right to change any time the dimensions and specifications mentioned in this brochure



Picture 5.1 - Dizayn PE tanks being used for chemical storage.

# MANHOLES AND STORAGE TANKS

TANK HDPE	Internal diameter	Height of main body	Height of tank	Total height	Walking area	
Capacity (Liter)	DN (mm)	HZ (mm)	(mm)	HG (mm)	Int. Dia. DW (mm)	Height HW (mm)
6.000	1.600	3.185	3.385	4.335	2.000	2.885
7.000	1.600	3.730	3.930	4.880	2.000	3.430
8.000	1.600	4.180	4.380	5.330	2.000	3.880
8.000	2.000	2.475	2.945	3.895	2.600	2.445
9.000	2.000	3.065	3.265	4.25	2.600	2.765
10.000	2.000	3.385	3.585	4.536	2.600	3.085
12.000	2.000	4.020	4.220	5.170	2.600	3.720
13.000	2.000	4.340	4.540	5.490	2.600	4.040
14.000	2.000	4.660	4.860	5.810	2.600	4.360
15.000	2.000	4.925	5.125	6.075	2.600	4.625
15.000	2.600	3.025	3.355	4.175	3.000	2.725
20.000	2.600	3.965	4.295	5.115	3.000	3.665
25.000	2.600	4.860	5.190	6.010	3.000	4.56
25.000	3.000	3.735	4.135	4.885	3.400	3.435
30.000	2.600	5.850	6.180	7.000	3.800	5.550
35.000	3.000	5.150	5.550	6.000	3.400	4.850
35.000	3.400	4.050	4.505	5.200	3.800	3.750
40.000	3.000	5.860	6.260	7.010	3.400	5.560
40.000	3.400	4.605	5.060	5.755	3.800	4.760
45.000	3.000	6.515	6.915	7.665	3.400	6.615
45.000	3.400	5.155	5.610	6.305	3.800	5.310
50.000	3.000	7.275	7.675	8.425	3.400	7.375
50.000	3.400	5.710	6.165	6.860	3.800	5.865

Picture 5.3 - The production dimensions for flat bottomed storage tanks.

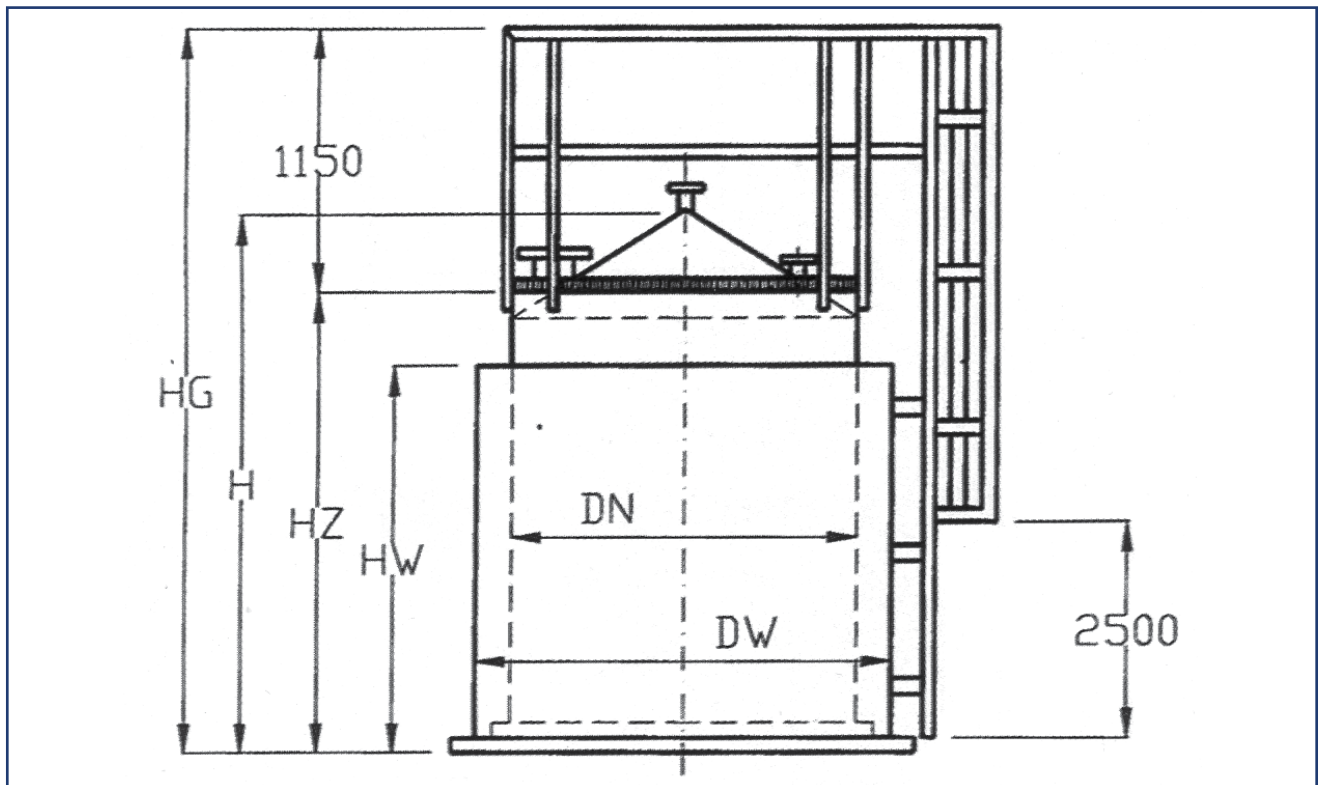


Figure 5.2 - The schematic shape of Dizayn PE and PP Storage tanks

# MANHOLES AND STORAGE TANKS



Picture 5.4 - Dizayn PE tank in use.

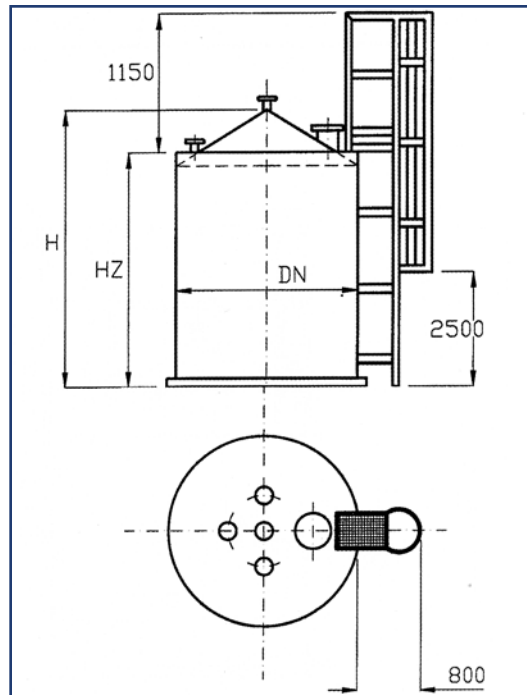


Figure 5.3 - Flat bottomed Dizayn tanks with walking area and with latter.